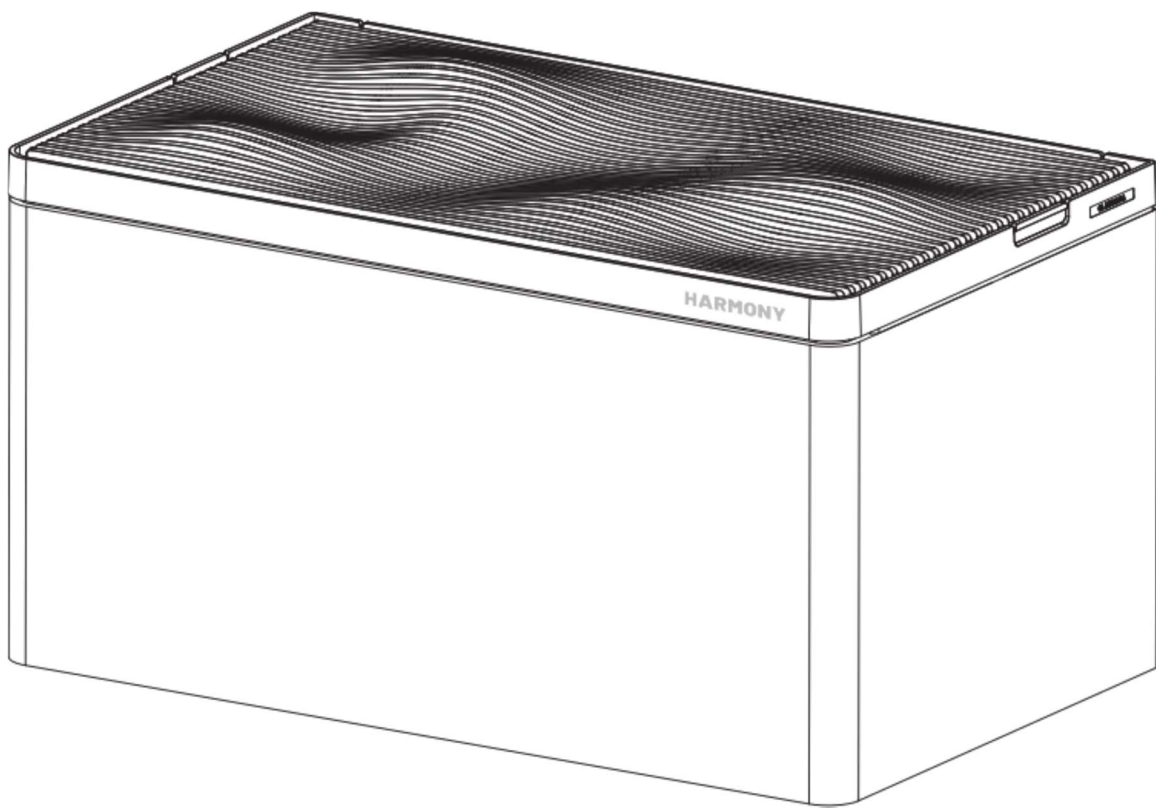


HARMONY

Harmony Aquatic Tank

User's Manual



Thank you for choosing Clairnara's original product.

Please read this user manual carefully before using the product and record your purchase information on the warranty card.

Table of Contents

1. Notices	2
Important Reminders	2
2. Product Overview	4
Main Components & Accessories	4
Filter Media	4
3. Installation and Usage	6
4. Maintenance and Cleaning	9
Regular Maintenance	9
Maintaining the Filter Media	9
Quick Water Change	10
5. Instruction for Starting and Maintaining the Aquarium	11
Setting Up the Tank	11
Maintaining Water Quality	11
Recommended Fish Species	11
Caring for Your Fish	11
6. Frequently Asked Questions and Answers	13
7. Product Specifications	14
8. Product Warranty and Contact Information	15

1. Notices

Dear customer, thank you for choosing Clairnara's original product.

Please read this product manual carefully before use to ensure the safe use of this product. Once installed or used, it signifies that you have carefully read and accepted the instructions and regulations provided in this manual.

In the event of accidents or losses resulting from non-compliance with the operating instructions, our company will not be held responsible, nor assume any legal liability.

Please record your purchase information on the warranty card and keep it properly for future reference.

Important Reminders

- To protect your rights and interests, it is recommended that you record the entire unboxing process. If you discover any omissions or damage upon receipt of the product, please immediately contact our customer service team and provide your video evidence.
- Before filling the tank with water, please check for any damage or cracks in the glass body. If any issues are found, do not proceed with filling the tank with water. Please immediately record the damage with video or photographs to provide to our customer service team.
- Please note that ceramic filter media, glass tank bodies, and filter partitions are all handcrafted, and each batch of products may have slight variations. If you have any questions, please contact our customer service team.

Please follow the following terms of use to prevent the product from malfunctioning or causing other unexpected losses:

- Please strictly follow the instructions in the manual for installation.
- Before installing the product, please confirm that all product accessories are complete.
- During installation or cleaning, please disconnect the power supply first. After assembly or cleaning is completed, add water to the recommended water level, then reconnect the power supply, and check whether the filtration system operates normally.
- Do not rinse the main unit with water directly to prevent short-circuit damage. Please use a damp cloth for cleaning.
- When plugging or unplugging the power supply, be sure to keep your hands and the plug dry.
- Do not place the product's power supply or other components in places where children can easily reach, or allow children, the elderly, or individuals with limited mobility to use the product alone to avoid potential risks.
- Do not use sharp objects to touch the glass tank to avoid scratches or damage.
- Do not place other items on the glass tank to prevent deformation or abrasion of the tank body.
- It is recommended to add an appropriate amount of aerated or dechlorinated water according to the size of the aquarium. Do not exceed or fall below the water level sticker's mark.
- After the tank is filled with water, please keep it in a level position and do not move it arbitrarily.

- This product is only intended for the keeping and observation of ornamental fish or indoor decoration. Do not use it for any other purposes.
- In case of product usage problems, please contact customer service.

2. Product Overview

Main Components & Accessories



① Glass Tank x 1



② Multi-Functional Frame x 1



③ Grid Pattern Top Lid x 1



④ Top Filter Tray x 1



⑤ Tool Storage Box x 1



⑥ Full Spectrum LED Light Panel x 1



⑦ Ultra-Quiet High-Efficiency Pump x 1 (with Tube)



⑧ Extractable Filter Media Boxes x 2



⑨ Quick Water Change Kit x 1 (with Hose)



⑩ L-Shaped Inlet Water Flow Guide Plate x 1



⑪ Water Flow Guide Plate x 1



⑫ Product Warranty Card x 1

Filter Media



Ⓐ High-Porosity Ceramic Media Set x 1 (about 300g)



Ⓑ Patented Sponge Cubes (about 50 pieces)



Ⓒ Water Polish Sponge x 1



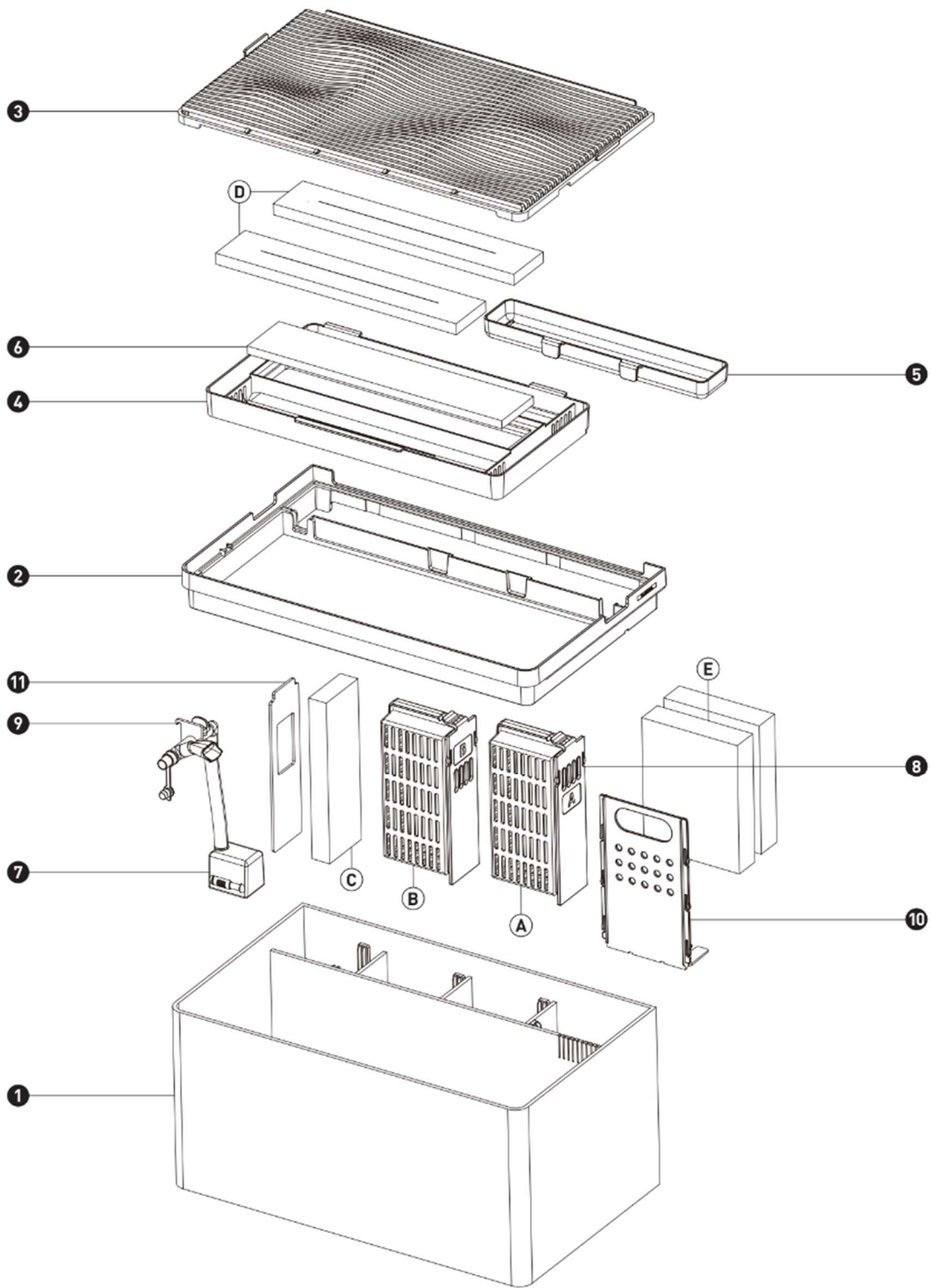
Ⓓ Top Filter Sponges x 2



Ⓔ First-Stage Filter White Sponge Set x 1



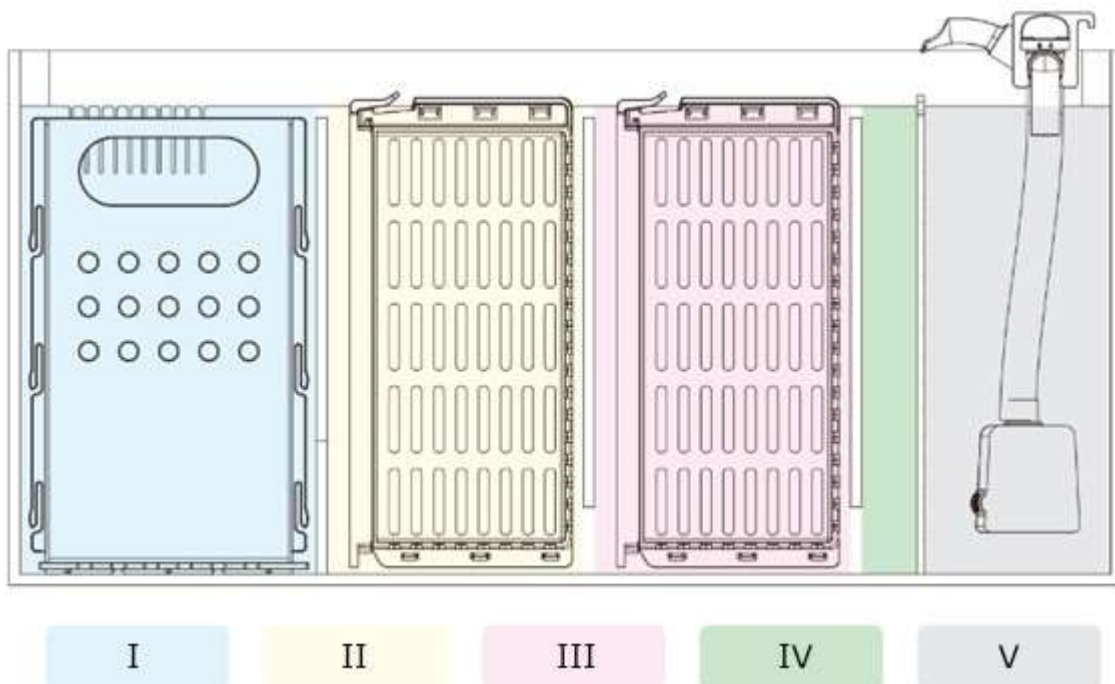
Ⓕ Nitrifying Bacteria Powder Set x 1



3. Installation and Usage

For installation steps, please refer to the video tutorial linked via the QR code to the right.

<https://www.clairnara.com/video/en/setupfull>



I - White Sponge Area

II - Bacteria Cultivation Area A

III - Bacteria Cultivation Area B

IV - Water Polish Area

V - Pump Area

01. Check for Integrity:

- Before installing the product, please confirm that all product accessories are complete, nothing is broken, and nothing is missing.

02. Clean the Tank and the Accessories:

- Before continuing, clean the tank thoroughly and wipe the top lid items with a clean cloth.

03. Place the Aquarium:

- Choose a suitable location, avoiding direct sunlight and excessive humidity. Place the aquarium on a stable surface to prevent shaking and affecting the stability.

04. Assemble the Partition Accessories:

- Insert the (10) L-Shaped Inlet Water Flow Guide Plate into the glass tank track in the White Sponge Area. Insert (11) Water Flow Guide Plate into the glass tank track in the Pump Area.

05. Install the Rear Filter System - 1:

- Place two pieces of (E) White Sponge behind the (10) L-Shaped Inlet Water Flow Guide Plate.
- Insert the (C) Water Polish Sponge in the Water Polish Area next to the (11) Water Flow Guide Plate to prevent foreign objects from entering the Pump Area.

06. Install the Rear Filter System - 2:

- Place about 5 pieces of (A) High-Porosity Ceramic Media into (8) Filter Box A, and then add all the (B) Patented Sponge Cubes into (8) Filter Box A.
- Place the remaining of (A) High-Porosity Ceramic Media into (8) Filter Box B.
- Insert the (8) Filter Boxes A and B, loaded with filter media, into Bacteria Cultivation Areas A and B, respectively. (Please ensure the correct order to avoid affecting water flow direction and filtration effectiveness)

07. Install the Top Filter System:

- Place the (6) LED Light Panel in the middle of the (4) Top Filter Tray's notches.
- Insert two pieces of (D) Top Filter Sponge into the central fin slot in the groove.
- Place the (2) Multi-Functional Frame above the (1) Glass Tank (Note 1) first, then place the entire (4) Top Filter Tray on top of it.

08. Install the Pump:

- Assemble the (7) Ultra-Quiet High-Efficiency Pump with the connecting tube and insert it into the Pump Area. Align the outlet of the (9) Quick Water Change Kit with the groove of the (4) Top Filter Tray (Note 2).

09. Fill with Water:

- Time to decorate your tank!
- When you are ready, fill the tank with water according to the water level sticker on the side of the glass tank. Do not exceed the maximum water level mark.

- When the water evaporates and the water level approaches the minimum water level mark, top up the water to avoid dry-running damage to the pump motor and causing pump failure ([Note 3](#)).

10. Complete the Set Up:

- Place the tool storage box on the tank frame and cover it with the grid pattern lid to complete the aquarium assembly ([Note 4](#)).

[Note 1](#): You may notice slight movement when placing the frame onto the tank, and that is an intentional design to accommodate the handcrafted round-edged tank body.

[Note 2](#): For information related to the quick water change kit, please refer to the video linked in Section 4 of this manual. After assembling the aquarium and powering it on, adjust the water to the desirable flow rate.

[Note 3](#): For steps and precautions when setting up the aquarium for fish and water, please refer to Section 5 of this manual, "Instruction for Starting and Maintaining the Aquarium."

[Note 4](#): If any unevenness is found on the lid, please ensure that the power cord is placed in the cable storage area behind the frame.

4. Maintenance and Cleaning

Regular Maintenance

01. Tank:

- If there is dirt on the surface of the glass tank, simply wipe it with a damp cloth. If foreign objects or dust fall into the tank, use aquatic tongs to remove them and keep the interior clean.

02. Walls:

- If you need to clean the interior walls of the glass tank, use a sponge or an aquarium magnetic brush that won't damage the glass. The rear partition wall is made of acrylic material, so use a sponge or a soft cloth to clean it to avoid scratching.

03. Scratches:

- Do not use sharp objects to touch the glass tank to prevent scratches or damage.

04. Top lid:

- Do not place other items on top of the glass tank to avoid deforming the tank body.

Maintaining the Filter Media

01. Recommended Frequency on Replacing and Cleaning of the Filter Media: ([Note 5](#))

Filter Media Name	Replacement Frequency	Cleaning Frequency
Ⓐ High-Porosity Ceramic Media	Replace once a year	Take out every three months for a light rinse.
Ⓑ Patented Sponge Cube	Replace once a year	Take out every month and gently squeeze with your hands; avoid washing with high-pressure water.
Ⓒ Water Polish Sponge	Replace once a year	Rinse every three months, when it is dirty, or when the water flow slows down.
Ⓓ Top Filter Sponges	Replace once a year	Rinse every three months or when there is a significant amount of dirt build-up.
Ⓔ First-Stage Filter White Sponge	Replace based on blockage level and how the white sponge has collapsed. Replace when the white sponge becomes thin, accumulates too much dirt, or when the water flow slows down.	Rinse with water every two weeks but avoid squeezing with force to prevent damaging the filtering effectiveness.

Note 5: It should be fine to lightly rinse the filter media with tap water. To not break the established balance on the nitrifying bacteria, you can always scoop out existing tank water to a separate bucket and rinse the media with it. Be sure to do water changes and filter media cleaning on different days (best if you can space them out by at least two days). For Bacteria Cultivation Areas A and B, never clean them frequently unless there is a noticeable blockage. Cleaning these areas frequently can cause the water quality balance to fluctuate and affect the filtration efficiency.

02. Water:

- After the system reaches equilibrium, you only need to top up the water. If you notice any water cloudiness or a decrease in fish activity, you can perform a quick water change followed by adding (F) Nitrifying Bacteria Powder for maintenance.



We recommend that you clean the filtration system at different times or in different sections to avoid disrupting the system's equilibrium. After each cleaning, you can add a small amount of (F) Nitrifying Bacteria Powder to help maintain water quality stability.

Quick Water Change

For the quick water change steps, please refer to the video tutorial linked via the QR code to the right.

<https://www.clairnara.com/video/en/waterchange>



After draining, you can use a cleaning brush to clean the interior tank. Once cleaning is complete, proceed to install the accessories in sequence. You should only power the system back on after confirming that the installation is complete.

5. Instruction for Starting and Maintaining the Aquarium

Setting Up the Tank

01. Fill the aquarium with well-aerated water or chlorine-free filtered water.
02. Evenly pour 1/3 to half tube of the (F) Nitrifying Bacteria Powder into the (8) Filter Boxes A and B. (Note 6)
03. We recommend that after setting up the tank, water, and adding aquatic plants, you wait for seven to ten days for the tank to reach a balanced state before introducing any fish, shrimp, and snails.

Note 6: Additional (F) Nitrifying Bacteria Powder can be used for routine maintenance (recommended once a month, one-third tube each time) and after cleaning. Adding the bacteria powder initiates the water maintenance (nitrification, or cycle) phase. It's normal for the water to appear cloudy for the first day or two.

Maintaining Water Quality

Avoid overfeeding; it's best if fish and shrimp consume the food within five minutes after you feed. If there is leftover food, dead plant material, or deceased fish, please remove them timely to prevent water contamination and to maintain a healthy ecosystem.

Recommended Fish Species

01. The small to medium-sized fish species such as guppies, tetras, and small goldfish are suitable for this tank. For more recommendations on suitable fish species, consult a professional aquarist or contact our customer service.
02. Please adjust fish density accordingly: For fish species 1 inch (1-3 cm) in size, it is recommended to keep a maximum of 10 fish; for fish species 1-2 inches (4-6 cm) in size, keep a maximum of 5 fish; for fish species 2-3 inches (7-10 cm) in size, keep a maximum of 3 fish. High-density stocking is never recommended.

Caring for Your Fish

01. Avoid placing the aquarium under direct sunlight or in high-humidity environments to prevent extreme temperature changes.

- 02.** The recommended lighting duration is approximately 6 hours per day. Do not place speakers or televisions close to the aquarium to protect the fish from sound and electromagnetic interference.
- 03.** Avoid excessive feeding and adding excessive nutrients or vitamins into the water.

If you have any related questions, please contact customer service for assistance.

6. Frequently Asked Questions and Answers

Q. What can I keep in the Harmony Aquatic Tank?

The Harmony Aquatic Tank is suitable for small ornamental fish and low-light aquatic plants. If you intend to keep marine fish, corals, and anemones, additional equipment such as a protein skimmer, chiller, and regular water changes are required. For marine tank husbandry and guidelines, we recommend consulting professional marine tank specialists or contacting our customer service.

Q. Are the filter media supplies for the tank expensive in the long run?

Except for the (E) First-Stage Filter White Sponge, which needs periodic replacement (frequency varies based on your individual tank conditions), other filter supplies should last at least a year under normal use and do not require frequent replacement. They can be cleaned and reused.

Q. How can I remove fish waste stuck in the sand?

Once the tank's water quality stabilizes, and nitrifying bacteria thrive, fish waste will naturally decompose. Avoid frequently stirring and cleaning the sand, as this can disrupt the health and stability of water quality.

Q. What's the best way to clean algae off the tank walls?

You can introduce snails, small shrimp, or algae-eating fish as natural algae controllers. Additionally, avoid prolonged exposure to light (based on natural daylight hours), and you can periodically use a magnetic brush or scraper for cleaning.

Q. What should I do if I need repairs after the warranty period expires?

Please contact our customer service, and we will have a dedicated representative assist you. Repair costs will be determined based on individual cases.

For other questions and answers, please visit our official website or contact customer service.

7. Product Specifications

Dimension	20 * 12 * 12 inches 50 * 30 * 30 cm
Weight	24 lbs. 11 kg
Volume	9 gallons 34 liters
Pump	AC 120V 60 Hz 3.5 W
Pump Flow Rate	105 GPH Z.P. 400 L/h
Glass	5mm ultra clear heat-curved glass
LED spec	12500K
Warranty	1-year limited warranty on the product body, pump, and the LED

8. Product Warranty and Contact Information

Our company guarantees the excellent quality of the products we sell. If there are any quality abnormalities during normal use within the warranty period (excluding filter materials and consumable supplies), our company provides a 12-month warranty service in Taiwan and the USA.

The warranty period is one year from the date of purchase and is unrelated to when the purchaser begins using the product.

In the event of a failure occurring under normal use as per the user manual, free repairs will be provided during the warranty period. Please email our customer service within the warranty period, explain the malfunction or defects, and provide the product warranty card.

Products without a warranty card or with unclear markings and unauthorized alterations are not covered by the free repair warranty. For detailed warranty and repair terms, please refer to our official website.

Product warranties do not apply to damage caused by sales organizations not authorized by the original manufacturer or by users who do not use the product as instructed in the user manual. Any malfunctions caused by the use of non-original manufacturer products, accessories, filter materials, and consumables are not covered by the warranty.

Regardless of whether the repaired product is beyond the warranty period, the purchaser is responsible for the shipping cost to return the product to the warranty service center.

*Special note for our international users: Our LED panel is suitable for 110V – 220V, but the pump is only rated for 110-120V. If your local power outlet supplies a voltage other than 110-120V, please be sure to use a transformer to ensure smooth operation and prevent damage.

Manufacturer: Clairnara International Co., Ltd.

Taipei City, Taiwan

Website: <https://www.clairnara.com>

Email: support@clairnara.com